



### Specification

Finish/Colour:	Chrome Plated
Main Construction Material:	Brass
Mounting Type:	Wall Mounted
Plumbing System Suitability:	Suitable for all plumbing systems
Minimum Dynamic Pressure (bar):	0.5 bar
Maximum Dynamic Pressure (bar):	5.0 bar
Maximum Static Pressure (bar):	10 bar
Maximum Hot Water Supply Temperature °C:	60
Connection Inlet:	15mm compression
Connection Outlet:	15mm compression
Isolation Included:	No
What's Included:	1 x Diverter, 1 x Concealing Plate, 1 x Plated Handle, 1 x Allen Key, 2 x 4.5Cm Screws, 2 x Rawl Plugs, 1 x Plated Cap, 1 x Fitting Instructions

### Features:

- 15mm inlet connection
- Requires minimum cavity depth of 65mm
- High performance even at low pressures
- 3 way option diverts to 2 outlets

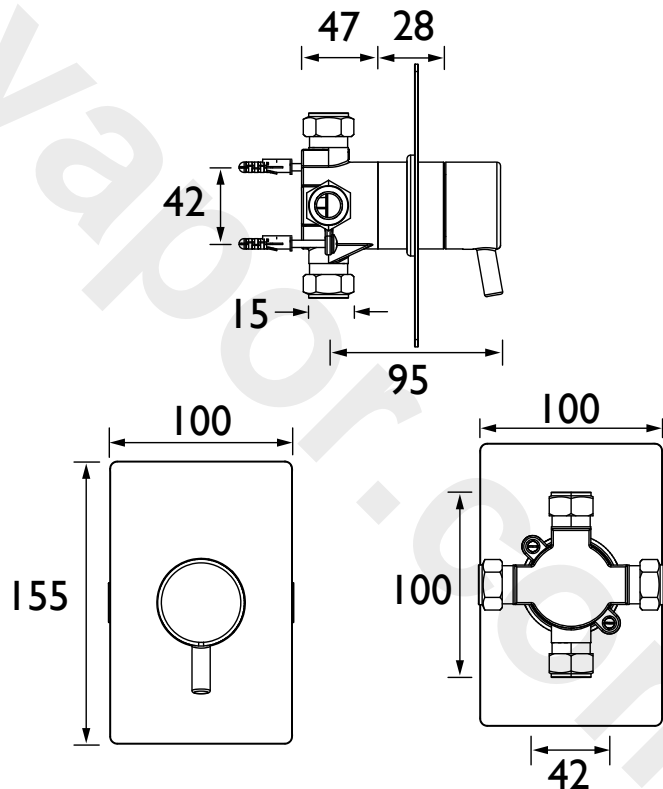
### Product Certifications:



For more products, visit our website:  
<http://www.bristan.com>



### Dimensions (measurements in mm)



### Flow Rates (l/min)

System Pressure (bar)	0.5	1	2	3	5
All Outlets	19.6	28.3	40.4	50.5	65

# TECHNICAL DATA SHEET



# BRISTAN